

Electric AC Rooftop Unit

Customized Applications

High performance systems,
developed to meet demanding customer needs.

Performance

cooling
capacity
12,000 Btu/hr

+

airflow
415 CFM

Continuous
**ELECTRIC
OPERATION**

Advantages

- Compact AC unit for operator area
- Perfect solution for coaches and transit buses, agricultural vehicles, construction vehicles, cranes, etc.
- Continuous operation whether the engine is running or not
- Scroll compressor, high performance output
- Easy to install
- Electronic control
- Pre-Charged R-134a
- Environmentally friendly
- Aerodynamic design
- Easy and fast installation. No refrigeration lines inside the vehicle

Applications



TRUCKS



VANS



RAILWAYS



CRANES

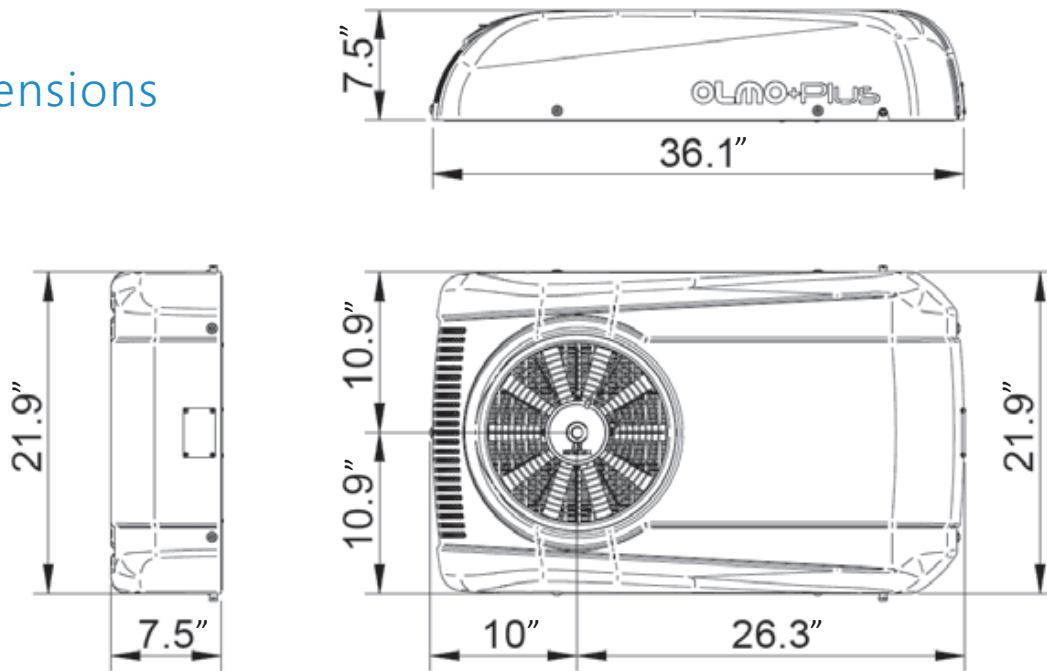


Compact HVAC Unit



For driver cabin & sleeping area

Unit Dimensions



Technical Details

- Refrigerant type: **R-134-A**
- Cooling capacity: **12,000 Btu/hr**
- Operating Voltage: **24VDC**
- Maximum operating Voltage: **26VDC**
- Maximum operating current: **50A**
- Progressive control by electronic system.
- Air flow: **415 CFM**
- Unit weight: **96.8 lb**

sanzclima.com

Leader in HVAC systems and innovation

USA *Kenway Engineering*. 2555 Lake Avenue, Fairmont, MN, 56031 · ☎+1 (507) 238-9051 · ✉sales@kenwayengineering.com
SPAIN · C/ Ing. Torres Quevedo 6. 28022 Madrid, Spain · ☎+34 917 613 834 · ✉mail@sanz.eu
POLAND · 28 czerwca 56r. nr 390, 60-441 Poznan, Poland · ☎+48 61 8429 166 · ✉poczta@sanz.eu
BRAZIL · Rua Angelo Agostini, 280, Bairro Pioneiro. Caxias do Sul (RS), Brazil. CEP: 95.042-090 · ☎+55 (54) 3028 1155 · ✉correio@sanz.eu
RUSSIA · Bd. Petrovsky 3 build 2, room 1-3. 127051, Moscow, Russia · ☎+7 9671360932 · ✉info@sanz.eu
MEXICO · Av. de las Fuentes 106, Nave 06, Parque Industrial FINSA. CP 76246, El Marqués. Querétaro, México · ☎+52 (442) 2216662 · ✉info@sanz.eu
GERMANY · *Dreiha GmbH*. Grönlandstraße 20, 28719 Bremen · ☎+49 (0)421 64 929 - 0 · ✉mail@dreiha.de

