

MIDI Heater

Brushless Blower Heater

This compact heater is designed to be highly durable withstanding punishment to provide high heater BTU performance and also provide nearly maintenance free operation.



- Durable and compact ABS plastic housing design
- High airflow CFM and BTU heater performance using a brushless blower motor
- Nearly maintenance free operation
- Easy installation



Advantages

Brushless Blower Motor:

- Long life: rated usage life 25,000 hours
- Reduces overall maintenance
- Blower offers two, three or infinitely variable speeds
- Compact design/simple installation: can be installed almost anywhere within the cab
- Low noise
- The Midi heater offers the optimal cab heater solution providing high performance, quality and value

Performance

heating capacity
24,000 Btu/hr

+

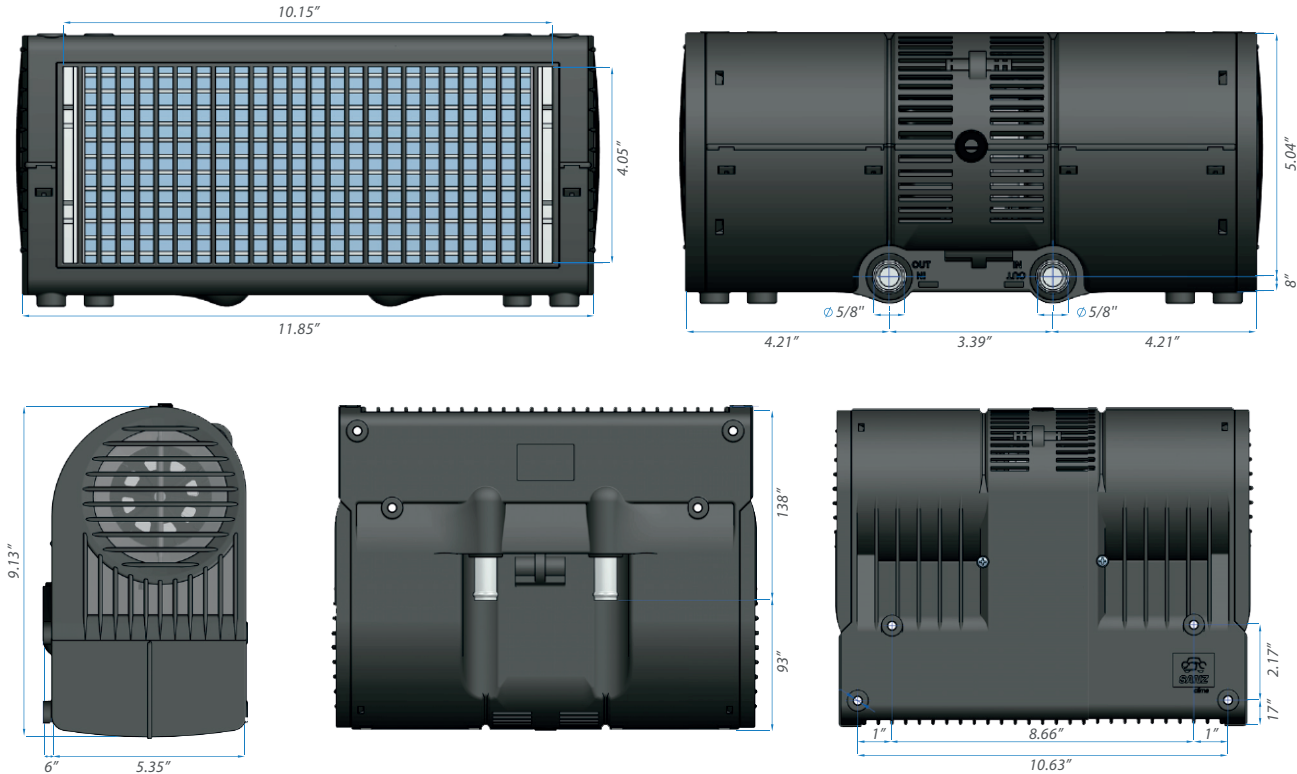
Airflow
360 CFM



MIDI Heater

Brushless Blower Heater

Unit Dimensions



Technical Details

- Blower housing is constructed of highly durable PA: **PA/GF30 – PP/GF30**
- Maximum airflow rate: **360 CFM**
- Static pressure: **0 [Pa]**
- Delivers **24,000 [Btu/hr]** of heater performance
- Operating Voltage: **24VDC**
- Maximum Operating Voltage: **32VDC**
- Maximum operating current: **4 A**
- Brushless blower motor with tested usage life of 25,000 hours and features two operating speeds

Applications

